

### AS69RC

#### APPLICATION

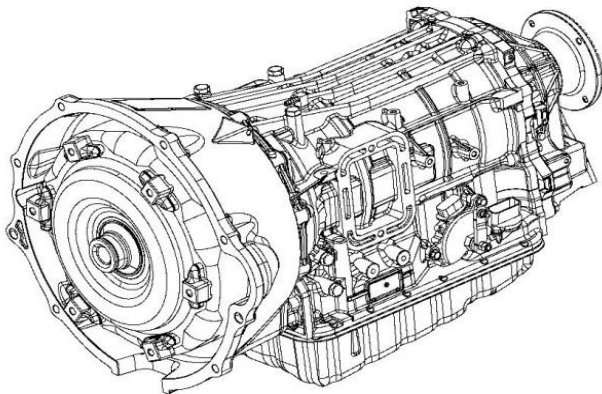
2013-UP DODGE 3500,4500,5500 6.7L DIESEL

#### REBUILDING KITS

OVERHAUL: K78900H\*  
K78900HX+  
BANNER: K7800HW/O\*  
K7800HXW/O+  
MASTER: K7800H\*  
K7800HX+  
PISTON KIT: K78900H-99  
RING KIT: K78300H  
FRICTION MODULE: K7800H-1F  
STEEL MODULE: K7800H-1S  
\* - W/ PISTON  
+ - W/O PISTON

#### DISTINGUISHING CHARACTERISTICS

THERE MAY BE SLIGHT VARIATIONS FROM MODEL TO MODEL, BUT OVERALL CASE CONFIGURATION IS THE SAME



#### AVAILABLE COMPONENTS

FILTER  
78575G

METAL CLAD SEALS  
PUMP - 78259  
REAR - 78147  
MANUAL SHAFT - 48204

PAN GASKETS  
78702X

BUSHINGS  
PUMP - 78888

#### BENEFITS

- 1 CONTAINS OE COMPRABLE MATERIAL
- 2 AVAILABLE WITH OR WITHOUT PISTONS.
- 3 CONVENIENTLY SUB-PACKAGED FOR EASE OF LOCATION AND INSTALLATION
- 4 FULL COMPLEMENT OF VALVE BODY CHECKBALLS
- 5 FULL COMPLEMENT OF VALVE BODY SCREEN ASSEMBLIES
- 6 INCLUDES LOOSE VALVE BODY GASKETS

## THE PROBLEM SOLVERS

PRECISION INTERNATIONAL ~ 14 TODD COURT EXT., YAPHANK, NY 11980

800.872.6649 ~ 631.567.2000 ~ sales@transmissionkits.com ~ www.transmissionkits.com

