

PRECISION™ INTERNATIONAL

NEW KIT BULLETIN

AS68RC / A465

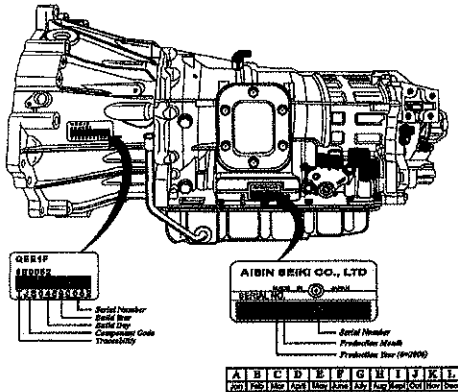
APPLICATION

DODGE RAM 3500/4500/5500 DIESEL 2007-11
ISUZU/GMC N & W SERIES 5.2L DIESEL 2006-11
MITSUBISHI FUSO FE 2006-11
FREIGHTLINER M2 106 2006-11

REBUILDING KITS

OVERHAUL: K78900G*
 K78900GX*
BANNER: K7800GW/O*
 K7800GXW/O+
MASTER: K7800G*
 K7800GX+
PISTON KIT: K78900G-99
RING KIT: K78300G
FRICITION MODULE: K7800G-1F
STEEL MODULE: K7800G-1S
 * - W/ PISTON, RETAINERS & BALANCER
 + - W/O PISTON, RETAINERS OR BALANCER

DISTINGUISHING CHARACTERISTICS



AVAILABLE COMPONENTS

FILTER

78575E

METAL CLAD SEALS

78275 - PUMP
 78260 - EXTENSION HOUSING

PAN GASKETS

78701X

BENEFITS

- 1 CONTAINS OE COMPARABLE MATERIALS
- 2 AVAILABLE WITH OR WITHOUT MOLDED PISTONS
- 3 INCLUDES BOTH SETS OF V/B GASKETS
- 4 CONVENIENTLY SUB-PACKAGED FOR EASE OF LOCATION AND INSTALLATION



PRECISION INTERNATIONAL ~ 14 TODD COURT EXT., YAPHANK, NY 11980

6/8/11

800.872.6649 ~ 631.567.2000 ~ sales@transmissionkits.com ~ www.transmissionkits.com