

APPLICATION

TOYOTA

C-HR 2.0L 2018

HARRIER 2.0L 2013-18

VOXY 2.0L 2014-18

LEXUS

NX200 2.0L 2014-18

REBUILDING KITS

OVERHAUL: K75900Y-MD

BANNER: K7500YW/O

MASTER: K7500Y

PISTON KIT: N/A

RING KIT: K75300Y

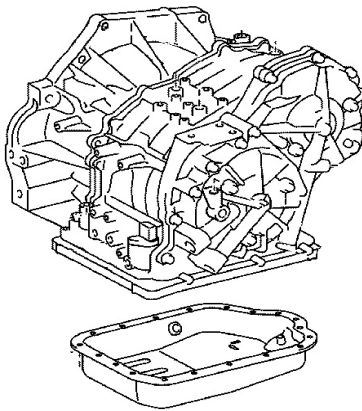
FRICITION MODULE: K7500Y-1F

STEEL MODULE: K7500Y-1S

FILTER KIT: FK75575BB-F

DISTINGUISHING CHARACTERISTICS

THERE MAY BE SLIGHT VARIATIONS FROM MODEL TO MODEL, BUT OVERALL CASE CONFIGURATION IS THE SAME



AVAILABLE COMPONENTS

FILTER

75575BB

METAL CLAD SEALS

75232 - CONVERTER

75069 - CASE SIDE

75026 - CONVERTER SIDE

48204 - MANUAL SHAFT

44202 - AUX PUMP

PAN GASKETS

75716LXD

BUSHINGS

75952

BANDS

N/A

BENEFITS

- 1 CONTAINS ALL V/B SCREENS AND CHECKBALLS.
- 2 SUB PACKAGED FOR EASE OF LOCATION.
- 3 OEM COMPARABLE MATERIAL.
- 4 ALL THE AUXILIARY PUMP SEALS ARE INCLUDED
- 5 CONTAINS FARPAK PAN GASKET.
- 6 INCLUDES SEALING RINGS AND SEAL FOR THE BELT PULLEYS

THE PROBLEM SOLVERS



PRECISION INTERNATIONAL ~ 14 TODD COURT EXT., YAPHANK, NY 11980

800.872.6649 ~ 631.567.2000 ~ sales@transmissionkits.com ~ www.transmissionkits.com