

U880/1E/F AF50-8, AW8F35, GA8F22AW,  
8F45, TG-81SC

### APPLICATION

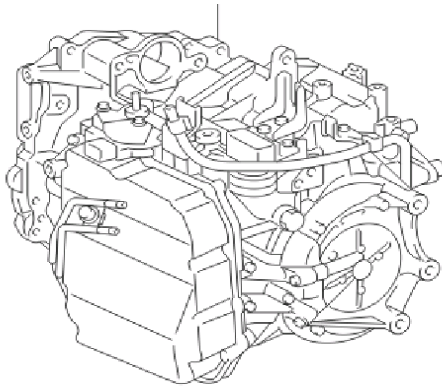
BMW 1 SERIES 2017-18, 2 SERIES TOURER 2014-18  
X1 & X2 2015-18  
BUICK LACROSSE 2016-18  
CADILLAC XT5 2016-19  
CHEVEROLET CRUISE 2017-18 & MALIBU 2018  
LEXUS RX350 2012-19  
MINI CLUBMAN, REGULAR & COUNTRYMAN 2015-18  
VOLVO V60, V70, XC60, XC70, XC90 2013-18

### REBUILDING KITS

OVERHAUL: K75900W\*  
K75900WX+  
BANNER: K7500WW/O\*  
K7500WXW/O+  
MASTER: K7500W\*  
K7500WX+  
PISTON KIT: K75900W-99  
RING KIT: K75300W  
FRICTION MODULE: K7500W-1F  
STEEL MODULE: K7500W-1S  
\* - W/ PISTON  
+ - W/O PISTON

### DISTINGUISHING CHARACTERISTICS

THERE MAY BE SLIGHT VARIATIONS FROM MODEL TO MODEL, BUT OVERALL CASE CONFIGURATION IS THE SAME



### AVAILABLE COMPONENTS

#### FILTER

79575U

#### METAL CLAD SEALS

75235 - PUMP

75069 (TOYOYA) - CASE SIDE

79206 (GM) - CASE SIDE

89028 (TOYOTA) 2WD - CONVERTER SIDE

75401 (TOYOTA) AWD - CONVERTER SIDE

79116 (GM) ALL - CONVERTER SIDE

48204 - MANUAL SHAFT

#### BUSHINGS

75088 - PUMP TO CONVERTER

#### BAND

79704R - B-1

### BENEFITS

- 1 OEM COMPARABLE MATERIAL ON ALL COMPONENTS.
- 2 AVAILABLE WITH OR WITHOUT MOLDED PISTONS
- 3 CONVENIENTLY SUB-PACKAGED FOR EASE OF LOCATION AND INSTALLATION
- 4 FULL COMPLEMENT OF PLASTIC THRUST WASHERS
- 5 FULL COMPLEMENT OF VALVE BODY CHECK VALVE ASSEMBLIES
- 6 CONTAINS AXLE SEALS FOR BOTH 2WD AND AWD APPLICATIONS
- 7 INCLUDES LOOSE GASKETS FOR BONDED VALVE BODY PATE
- 8 CONTAINS LATEST VERSION OF STEPPED SEALING RINGS

*THE PROBLEM SOLVERS*



PRECISION INTERNATIONAL ~ 14 TODD COURT EXT., YAPHANK, NY 11980

800.872.6649 ~ 631.567.2000 ~ sales@transmissionkits.com ~ www.transmissionkits.com