



14 TODD COURT EXTENSION - YAPHANK - N.Y. - 11980
 PHONE: 800-872-6649
 Email: Sales@transmissionkits.com

The Problem Solvers

NEW KIT ANNOUNCEMENT

U660E
2007-09

APPLICATION

TOYOTA CAMRY 3.5L
 TOYOTA AVALON
 TOYOTA AURION
 TOYOTA PREVIA, TARAGO
 LEXUS ES350
 LEXUS RX350

REBUILDING KITS

OVERHAUL K75900Q*
 K75900QX+
 BANNER K7500QW/O*
 K7500QXW/O+
 MASTER K7500Q*
 K7500QX+
 PISTON KIT K75900Q-99
 RING KIT K75300Q
 FRICTION MODULE K7500Q-1F
 STEEL MODULE K7500Q-1S
 * - W/ PISTON, RETAINERS & BALANCER
 + - W/O PISTON, RETAINERS OR BALANCER

DISTINGUISHING CHARACTERISTICS

TOYOTA 6 SPEED AUTOMATIC TRANSMISSION

BULK AVAILABLE COMPONENTS

FILTER

75575R

METAL CLAD SEALS

75235-PUMP

89028-DIFFERENTIAL SIDE

75069-CASE SIDE

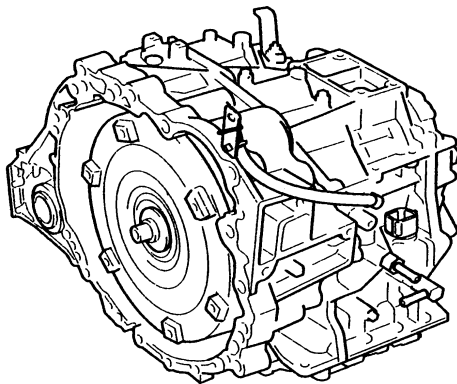
48204-MANUAL SHAFT

PAN GASKETS

75706XA

BUSHINGS

75888-Pump



BENEFITS

- 1 AVAILABLE BOTH WITH AND WITHOUT PISTONS
- 2 OEM COMPARABLE MATERIAL ON ALL COMPONENTS
- 3 CONVENIENTLY SUB-PACKAGED FOR EASE OF LOCATION AND INSTALLATION
- 4 FULL COMPLIMENT OF VALVE BODY CHECKBALLS AND SCREENS
- 5 EMBOSSED OIL PAN GASKET

