

FW6A-EL

APPLICATION

MAZDA

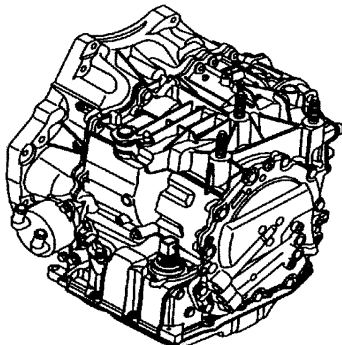
2012-2014 MAZDA 3
2014-2015 MAZDA 6
2012-2015 CX-5

REBUILDING KITS

OVERHAUL: K71900R-MD*
 K71900RX-MD+
BANNER: K7100RW/O*
 K7100RXW/O+
MASTER: K7100R*
 K7100RX+
PISTON KIT: K71900R-99
RING KIT: K71300R
FRICTION MODULE: K7100R-1F
STEEL MODULE: K7100R-1S
 * - W/ PISTON
 + - W/O PISTON

DISTINGUISHING CHARACTERISTICS

THERE MAY BE SLIGHT VARIATIONS FROM MODEL TO MODEL, BUT OVERALL CASE CONFIGURATION IS THE SAME



AVAILABLE COMPONENTS

FILTER
71575R

METAL CLAD SEALS

71241-PUMP
71238 - CONVERTER SIDE SEAL
71359 - CASE SIDE SEAL
65098 - MANUAL SHAFT
71084 - ELECTRICAL CONNECTOR

BUSHINGS
71888

BENEFITS

- 1 OEM COMPARABLE MATERIAL ON ALL COMPONENTS
- 2 FULL COMPLEMENT OF VALVE BODY CHECKBALLS, SCREENS AND OTHER COMPONENTS
- 3 CONVENIENTLY SUB-PACKAGED FOR EASE OF LOCATION AND INSTALLATION
- 4 AVAILABLE WITH OR WITHOUT PISTONS.
- 5 INCLUDES FARPAK PAN GASKET

THE PROBLEM SOLVERS



PRECISION INTERNATIONAL ~ 14 TODD COURT EXT., YAPHANK, NY 11980

800.872.6649 ~ 631.567.2000 ~ sales@transmissionkits.com ~ www.transmissionkits.com