

NEW KIT BULLETIN

JR710E (RE7R01A)

APPLICATION

NISSAN 370Z 2008-12
INFINITI EX25, 30, 35 2008-12
INFINITI FX30d, 35, 37, 50 2009-12
INFINITI G25, 37 2009-12
INFINITI M35, 37, 56 2009-12
INFINITI QX56 2009-12
NISSAN FAIRLADY Z / ROADSTER 2008-12
NISSAN NAVARA 2009-12
NISSAN PATROL 2010
NISSAN SKYLINE 2010-12

REBUILDING KITS

OVERHAUL: K62900TX-MD+
K62900T-MD*
BANNER: K6200TXW/O+ (1)
K6200TW/O* (1)
K6200TAXW/O+ (2)
K6200TAW/O* (2)
MASTER: K6200TX+ (1)
K6200T* (1)
K6200TAX+ (2)
K6200TA* (2)
PISTON KIT: K62900T-99
RING KIT: K62300T
FRICTION MODULE: K6200T-1F (1)
K6200TA-1F (2)
STEEL MODULE: K6200T-1S (1)
K6200TA-1S (2)

* - W/ PISTON

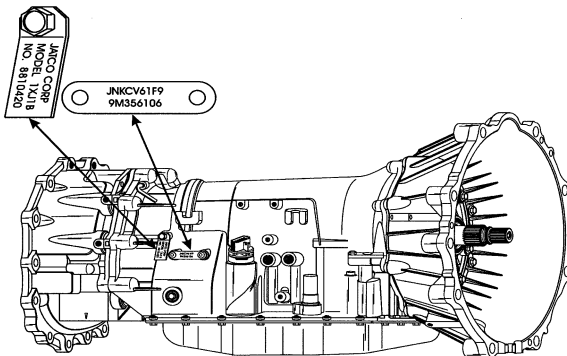
+ - W/O PISTON

(1)= INFINITI AWD

(2)= NISSAN RWD

DISTINGUISHING CHARACTERISTICS

THERE MAY BE SLIGHT VARIATIONS FROM MODEL TO MODEL, BUT OVERALL CASE CONFIGURATION IS THE SAME



AVAILABLE COMPONENTS

FILTER

62575T-MAIN

METAL CLAD SEALS

63704-PUMP

62759-EXTENSION HOUSING (AWD)

62301-EXTENSION HOUSING (2WD)

48204-MANUAL CONTROL SHAFT

PAN GASKETS

62706LXD

BUSHINGS

62601-PUMP

62888-EXTENSION HOUSING (AWD)

62888A-EXTENSION HOUSING (2WD)

BENEFITS

- 1 OEM COMPARABLE MATERIAL ON ALL COMPONENTS, EXCEPT PAN GASKET WHICH IS A DURABLE FARPAK®
- 2 CONVENIENTLY SUB-PACKAGED FOR EASE OF LOCATION AND INSTALLATION
- 3 FULL COMPLEMENT OF VALVE BODY CHECKBALLS
- 4 FULL COMPLEMENT OF VALVE BODY SCREENS

THE PROBLEM SOLVERS



3/1/2013

PRECISION INTERNATIONAL ~ 14 TODD COURT EXT., YAPHANK, NY 11980

800.872.6649 ~ 631.567.2000 ~ sales@transmissionkits.com ~ www.transmissionkits.com