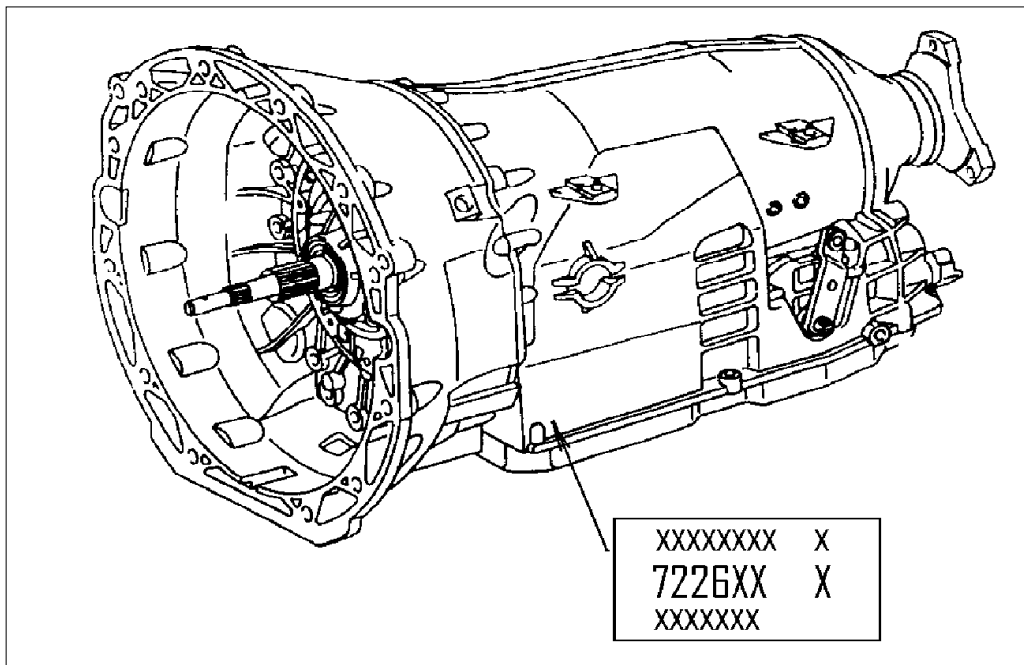


### K56900G

722.6: 601, 602, 603, 604, 605, 607, 608, 611, 612  
MERCEDES (ALL MODELS) 1996-2000

- 1 INCLUDES CONVERTER HOUSING GASKET( RUBBER COATED INTERMEDIATE PLATE)
- 2 KIT IS INDIVIDUALLY SUBPACKEGED BY CLUTCH PLATES, RUBBER PARTS, WASHERS, RINGS, ETC. TO EASE LOCATION OF PARTS
- 3 ALL OEM COMPATIBLE CARBON/BRONZE/GRAPHITE SEALING RINGS FOR ALL APPLICATIONS
- 4 SEALING WASHERS INCLUDED
- 5 MOLDED PISTON FOR B1 CLUTCH INCLUDED
- 6 BANNERS AVAILABLE INCLUDE ALL FRICTION PLATES

### **DISTINGUISHING CHARACTERISTICS**



Telephone #: (631) 567-2000

Fax #: (631) 567-2640

E-Mail us: General = [pi@transmissionkits.com](mailto:pi@transmissionkits.com)

Sales Dept. = [sales@transmissionkits.com](mailto:sales@transmissionkits.com)

Engineering Dept. = [engineering@transmissionkits.com](mailto:engineering@transmissionkits.com)