

# PRECISION™ INTERNATIONAL

## NEW KIT BULLETIN

### RE4F03A/B

#### APPLICATION

NISSAN(USA): VERSA 2007-13

NISSAN(NON USA):

BLUEBIRD/SLYPHY 2007-13, CUBE/CUBIC 2007-09

LIVINA/GENISS 2007-13, GRAND LIVINA 2007-13

LATIO 2007-13, MARCH 2007-13

MAXIMA 2007-11, MICRA 2007-13

NOTE 2007-13, SENTRA 2007-13

TEANA 2007-13

TILD/TATIO/QIDA/YIDA 2007-13

TSURU 2007-11

VERSA 2007-13

WINGROAD 2007-13

#### REBUILDING KITS

OVERHAUL: K63900KX-MD+  
K63900K-MD\*

BANNER: K6300KXW/O+  
K6300KW/O\*

MASTER: K6300KX+  
K6300K\*

PISTON KIT: K63900K-99

RING KIT: K63300K

FRICITION MODULE: K6300K-1F

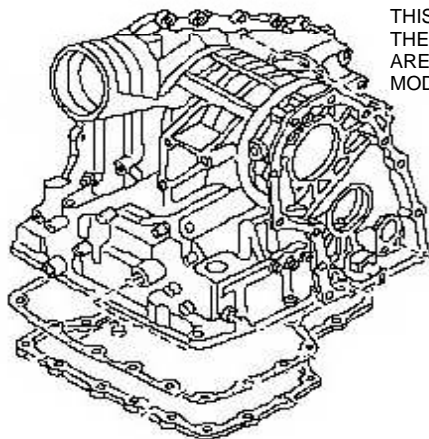
STEEL MODULE: K6300K-1S

\* - W/ PISTON KIT

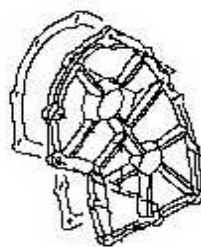
+ - W/O PISTON KIT

#### DISTINGUISHING CHARACTERISTICS

THERE MAY BE SLIGHT VARIATIONS FROM MODEL TO MODEL, BUT OVERALL CASE CONFIGURATION IS THE SAME



THIS IS THE LATE MODEL RE4F03A. THE PAN AND REAR COVER GASKETS ARE DIFFERENT FROM THE EARLY MODEL



#### AVAILABLE COMPONENTS

##### FILTER

63575F

##### METAL CLAD SEALS

PUMP - 63375

CASE SIDE AXLE - 58238

CONVERTER SIDE AXLE - 63421

MANUAL SHAFT - 48204

##### PAN GASKETS

63703LXD

##### BUSHINGS

63774

##### BANDS

63700FR W/O TAB

63701FR W/ TAB

#### BENEFITS

- 1 CONTAINS ALL V/B SCREENS AND CHECKBALLS.
- 2 SUB PACKAGED FOR EASE OF LOCATION.
- 3 OEM COMPARABLE MATERIAL.
- 4 CONTAINS VALVE BODY GASKET WHERE OE IS A BONDED PLATE.
- 5 COMES WITH OR WITH OUT MOLDED PISTONS.
- 6 CONTAINS FARPAK PAN GASKET.

## THE PROBLEM SOLVERS



PRECISION INTERNATIONAL ~ 14 TODD COURT EXT., YAPHANK, NY 11980

800.872.6649 ~ 631.567.2000 ~ sales@transmissionkits.com ~ www.transmissionkits.com