

Mercedes 722.9

### APPLICATION

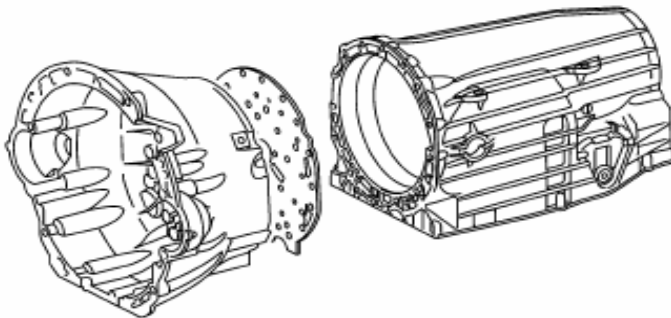
SEE ATTACHED

\*\*\*NOTE: PISTON KITS NOW AVAILABLE\*\*\*

### REBUILDING KITS

OVERHAUL: K56900K  
K56900KX  
BANNER: K5600KW/O  
K5600KXW/O  
MASTER: K5600K  
K5600KX  
PISTON KIT: K56900K-99  
RING KIT: K56300K  
FRICTION MODULE: K5600K-1F  
STEEL MODULE: K5600K-1S

### DISTINGUISHING CHARACTERISTICS



### AVAILABLE COMPONENTS

#### FILTER

56575B

#### METAL CLAD SEALS

PUMP - 56847

REAR OUTPUT - 56846

TRANSFERCASE INPUT - 56246

MANUAL SHAFT - 57147

#### PAN GASKETS

56703X

### BENEFITS

- 1 CONTAINS BONDED INTERMEDIATE PLATE
- 2 CONTAINS O.E.M. COMPARABLE MATERIAL
- 3 CONTAINS ALL VALVE BODY SCREENS AND TUBE SEALS
- 4 SUB PACKAGED FOR EASE OF LOCATION
- 5 CONTAINS ALL NECESSARY VALVE BODY CHECK VALVES
- 6 CONTAINS ALL NECESSARY VALVE BODY CHECKBALLS
- 7 AVAILABLE WITH OR WITHOUT MOLDED PISTONS

## THE PROBLEM SOLVERS



1/4/12

PRECISION INTERNATIONAL ~ 14 TODD COURT EXT., YAPHANK, NY 11980

800.872.6649 ~ 631.567.2000 ~ sales@transmissionkits.com ~ www.transmissionkits.com