



The Problem Solvers

NEW KIT ANNOUNCEMENT

14 TODD COURT EXTENSION - YAPHANK - N.Y. - 11980
 PHONE: 800-872-6649
 Email: Sales@transmissionkits.com

Allison 1000, 2000 SERIES 5/ 6 Speed 2006-2015

APPLICATION

Chevrolet:

C series (Truck) 6.6L Diesel 2009-2015
 Kodiak 8.1L/6.6L Diesel 2006-2009
 Silverado 1500/3500 6.6L Diesel 2006-2011
 Silverado 2500/3500HD 6.6L Diesel 2007-2015

GMC:

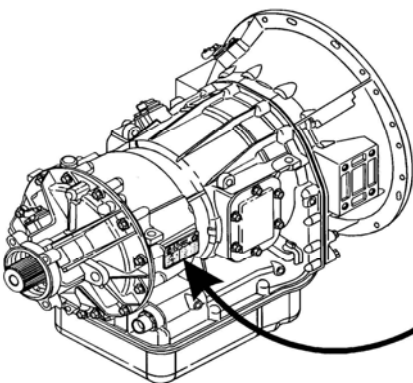
Sierra 1500/3500 6.6L Diesel 2006-2011
 Sierra 2500/3500HD 6.6L Diesel 2007-2015
 T Series (Truck) 6.6L Diesel
 Topkick 8.1L/6.6L Diesel 2006-2009

Isuzu:

FTR/FVR Truck 7.8L Diesel 2006-2010
 FXR Truck 7.8L Diesel 2006-2010
 HVR/HXR Truck 7.8L Diesel 2006-2008

Note: See tag on allison transmission as illustrated below.
 for correct allison transmission model

DISTINGUISHING CHARACTERISTICS



MODEL	XX - XXXX	XX - XXXX	
1000 SERIES	XX - XXXX	XX - XXXX	
DATE	XX	XX	
99F21	XX	XX	
SERIAL NO.	XX - XXXX	XX - XXXX	
XXXXXX	XX - XXXX	XX - XXXX	
EPCN	XX - XXXX	XX - XXXX	
XXXXXXXX	XX - XXXX	XX - XXXX	

Note: All applicable Allison models listed on page 2

REBUILDING KITS

OVERHAUL KP74900JA*
 KP74900JAX+
 BANNER KP7400JAW/O*
 KP7400JAXW/O+

MASTER KP7400JA*
 KP7400JAX+

PISTON KIT K74900JA-99

RING KIT K74901G

FRICTION MODULE K7400JA-1F

STEEL MODULE K7400JA-1S

* - W/ PISTON, RETAINERS & BALANCER
 + - W/O PISTON, RETAINERS OR BALANCER

BULK AVAILABLE COMPONENTS

FILTER

SCREW ON-74575
 DEEP PAN-74575A
 SHALLOW PAN-74575B

METAL CLAD SEALS

SELECTOR SHAFT-38511G
 PUMP-74242
 EXTENSION HOUSING-10654

BUSHINGS

PUMP-74703

PAN GASKETS

74700XA

BENEFITS

- 1 OEM GASKET MATERIAL
- 2 VALVEBODY PRESSURE SWITCH SEALS
- 3 FULL COVERAGE OF MOLDED PISTONS (4 TOTAL)
- 4 FULL COVERAGE OF ALL SOLENOID ORINGS
- 5 SUB KITS FOR EASE OF LOCATION.



6 *COVERS ALL ALLISON TRANSMISSION MODELS ON PAGE 2*

1001

ALLISON 1000/2000 PRODUCT FAMILIES:

1000	1350 PTS	2200	2350 HS	2500 SP
1000 EVS	1350 RDS	2200 EVS	2350 MH	2550
1000 HS	1350 SP	2200 HS	2350 PTS	2550 EVS
1000 MH	2000 MH	2200 MH	2350 RDS	2550HS
1000PTS	2100	2200 PTS	2350 SP	2550 MH
1000RDS	2100 EVS	2200 RDS	2500	2550 PTS
1000SP	2100 HS	2200 SP	2500 EVS	2550 RDS
1350	2100 MH	2300 HS	2500 HS	2550 SP
1350 EVS	2100 PTS	2300 PTS	2500 MH	B 210
1350 HS	2100 RDS	2300 RDS	2500 PTS	B 220
1350 MH	2100 SP	2350 EVS	2500 RDS	