



14 TODD COURT EXTENSION - YAPHANK - N.Y. - 11980
 PHONE: 800-872-6649
 Email: Sales@transmissionkits.com

The Problem Solvers

NEW KIT ANNOUNCEMENT

Allison 1000, 2000 SERIES 5/ 6 Speed 2006-2009

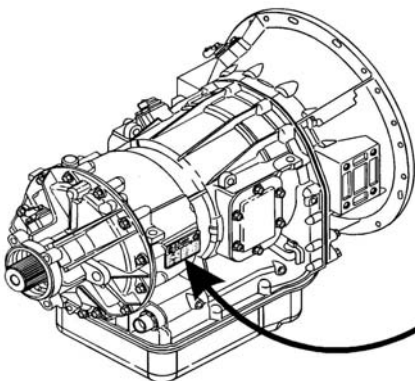
APPLICATION

Hummer: H1 2006 1000(M74)

Chevrolet: 2006 Silverado 2500HD/3500 8.1L/6.6L 1000(MW7),
 2007 Silverado HD(Classic) 8.1L/6.6L 1000(MW7)
 2007-09 Silverado HD 6.6L 1000(MW7)
 Kodiak 2006-07 8.1L/6.6L 1000(M74), 1000PTS(MB7),
 2200PTS(MB8), 2006-09 8.1L/6.6L 2200(MTX), 2300(MTY),
 2007-08 8.1L/6.6L 1000(MBW), 2200(MBZ,MY6),
 6.6L 2350(MHD,MHE,MHF), 2007-09 8.1L/6.6L 2200(MBY,MTS)
 1000(MBX,MTR,MBV)

GMC: 2006 Sierra 2500HD/3500 8.1L/6.6L 1000(MW7),
 2007 Sierra HD(Classic) 8.1L/6.6L 1000(MW7)
 2007-09 Sierra HD 6.6L 1000(MW7)
 Topkick 2006-07 8.1L/6.6L 1000(M74), 1000PTS(MB7),
 2200PTS(MB8), 2006-09 8.1L/6.6L 2200(MTX), 2300(MTY),
 2007-08 8.1L/6.6L 1000(MBW), 2200(MBZ,MY6),
 6.6L 2350(MHD,MHE,MHF), 2007-09 8.1L/6.6L 2200(MBY,MTS)
 1000(MBX,MTR,MBV)

DISTINGUISHING CHARACTERISTICS



REBUILDING KITS

OVERHAUL KP74900J*
 KP74900JX+

BANNER KP7400JW/O*
 KP7400JXW/O+

MASTER KP7400J*
 KP7400JX+

PISTON KIT K74900J-99

RING KIT K74901G

FRICTION MODULE K7400G-1F

STEEL MODULE K7400G-1S

* - W/ PISTON, RETAINERS & BALANCER
 + - W/O PISTON, RETAINERS OR BALANCER

BULK AVAILABLE COMPONENTS

FILTER

SCREW ON-74575
 DEEP PAN-74575A
 SHALLOW PAN-74575B

METAL CLAD SEALS

SELECTOR SHAFT-38511G
 PUMP-74242
 EXTENSION HOUSING-10654

BUSHINGS

PUMP-74703

PAN GASKETS

74700XA

BENEFITS

- 1 OEM GASKET MATERIAL
- 2 VALVEBODY PRESSURE SWITCH SEALS
- 3 FULL COVERAGE OF MOLDED PISTONS (4 TOTAL)
- 4 FULL COVERAGE OF ALL SOLENOID ORINGS
- 5 SUB KITS FOR EASE OF LOCATION.

