



14 TODD COURT EXTENSION - YAPHANK - N.Y. - 11980
 PHONE: 800-872-6649
 Email: Sales@transmissionkits.com

The Problem Solvers

NEW KIT ANNOUNCEMENT

FORD 6R80 YEAR COVERAGE 2008

APPLICATION

FORD EXPLORER 2008, EXPEDITION 2008 ,
 F150 2009

MERCURY MOUNTAINEER 2008

LINCOLN NAVIGATOR 2008

REBUILDING KITS

OVERHAUL KP37900K

BANNER KP3700KW/O

MASTER KP3700K

RING KIT K37901K-SP

FRICITION MODULE K3700K-1F

STEEL MODULE K3700K-1S

NOTE: THIS TRANSMISSION DOES NOT
 CONTAIN MOLDED PISTONS.

DISTINGUISHING CHARACTERISTICS

BULK AVAILABLE COMPONENTS

FILTER
 37575K

METAL CLAD SEALS

PUMP - 37842

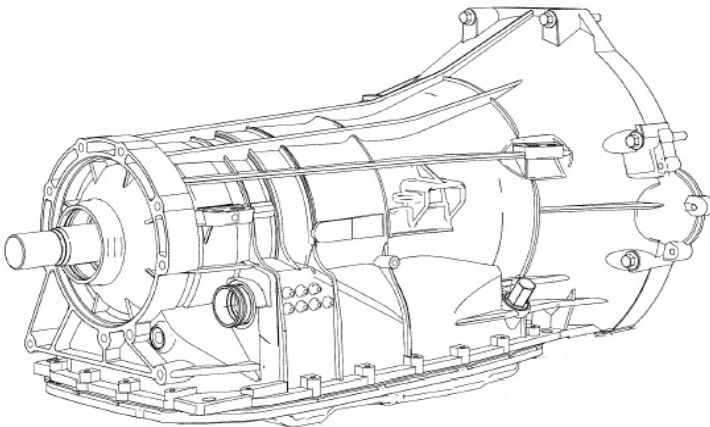
EXTENSION HOUSING (2WD) - 37470

EXTENSION HOUSING (4WD) - 37152

MANUAL SHAFT - 82651

PAN GASKETS

37701XA



BENEFITS

- 1 CONTAINS BONDED VALVE BODY GASKET.
- 2 CONTAIN 4WD ADAPTOR HOUSING GASKET.
- 3 CONTAINS O.E.M. COMPARABLE MATERIAL.
- 4 CONTAINS ALL VALVE BODY SCREENS AND VALVE SEALS.
- 5 SUB PACKAGED FOR EASE OF LOCATION.
- 6 CONTAINS ALL NECESSARY PLASTIC THRUST WASHERS.
- 7 CONTAINS ALL NECESSARY VALVE BODY CHECKBALLS.
- 8 CONTAINS ALL CENTER SUPPORT TUBE SEALS.

