



The Problem Solvers

NEW KIT ANNOUNCEMENT

14 TODD COURT EXTENSION - YAPHANK - N.Y. - 11980
PHONE: 800-872-6649
Email: Sales@transmissionkits.com

Oct-09

FORD 6R60 YEAR COVERAGE 2006-08

APPLICATION

FORD EXPLORER 2006-08,
EXPLORER SPORT TRAC 2007-08

MERCURY MOUNTAINEER 2006-08

REBUILDING KITS

OVERHAUL KP37900J

BANNER KP3700JW/O

MASTER KP3700J

RING KIT K37901J-SP

FRICITION MODULE K3700J-1F

STEEL MODULE K3700J-1S

NOTE: THIS TRANSMISSION DOES NOT
CONTAIN MOLDED PISTONS.

DISTINGUISHING CHARACTERISTICS

BULK AVAILABLE COMPONENTS

FILTER

37575L 2006

37575K 2007-UP

METAL CLAD SEALS

PUMP - 37842

EXTENSION HOUSING (2WD) - 37520

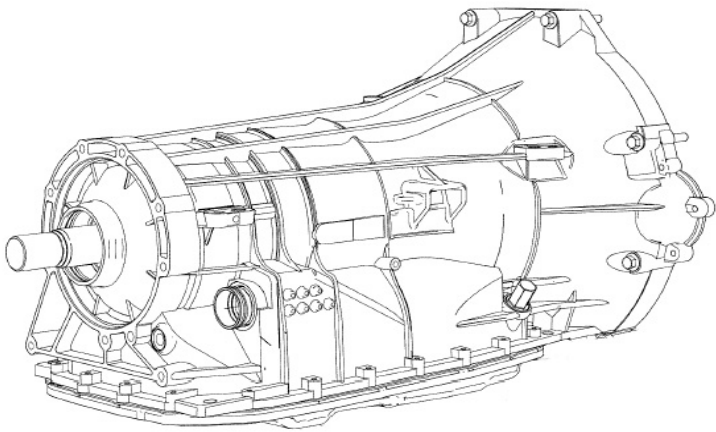
EXTENSION HOUSING (4WD) - 37205

REAR FLANGE (2WD) - 37250

MANUAL SHAFT - 82651

PAN GASKETS

37701XA



BENEFITS

- 1 CONTAINS BONDED VALVE BODY GASKET
- 2 CONTAINS O.E.M. COMPARABLE MATERIAL
- 3 CONTAINS ALL VALVE BODY SCREENS AND VALVE SEALS
- 4 SUB PACKAGED FOR EASE OF LOCATION
- 5 CONTAINS ALL NECESSARY PLASTIC THRUST WASHERS
- 6 CONTAINS ALL NECESSARY VALVE BODY CHECKBALLS
- 7 CONTAINS ALL CENTER SUPPORT TUBE SEALS



****Please contact your PI Sales Rep or Distributor for more information****