



The Problem Solvers

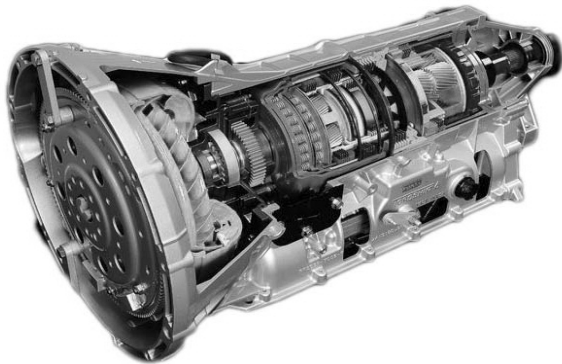
NEW KIT ANNOUNCEMENT

FORD 6R140 YEAR COVERAGE 2011-12

APPLICATION

Ford F-250 Super Duty 2011-12*
Ford F-350 Super Duty 2011-12*
Ford F-450 Super Duty 2011-12*
Ford F-550 Super Duty 2011-12*
Ford F-650 Super Duty 2011-12 6.8 liter Diesel (some models)
*6.2 liter Gasoline / 6.7 liter diesel

DISTINGUISHING CHARACTERISTICS



REBUILDING KITS

OVERHAUL KP36900V*
KP36900VX+
BANNER KP3600VW/O*
KP3600VXW/O+
MASTER KP3600V*
KP3600VX+
PISTON KIT K36900V-99
RING KIT K36901V
FRICTION MODULE K3600V-1F
STEEL MODULE K3600V-1S
* - W/ PISTON, RETAINERS & BALANCER
+ - W/O PISTON, RETAINERS OR BALANCER

BULK AVAILABLE COMPONENTS

FILTER
36575R

METAL CLAD SEALS
REAR OUTPUT - 36804
PUMP - 36115
REAR OUTPUT - 36801
MANUAL SHAFT - 36416

PAN GASKETS
36702XA

BUSHINGS
PUMP STATOR - 36009

BENEFITS

1. CONTAINS VALVE BODY GASKETS TO REPLACE THE BONDED PLATES.
2. CONTAINS O.E.M. COMPARABLE MATERIAL
3. SUB PACKAGED FOR EASE OF LOCATION
4. COLORED SOLENOID ORINGS & APPLICATION
5. CHECKBALLS
6. CASE PLUG SEAL
7. VENT SEAL
8. OIL PAN GASKET
9. DIP STICK ORINGS (UPPER & LOWER)
10. ALL SOLENOID ORINGS
11. V/B TEMP SENSOR
12. REAR OUTPUT
13. ELECTRICAL CONN.
14. STATOR BUSHING
15. COOLER LINE MISC. SEAL
16. DRAIN PLUG (BOLT)
17. CHECKBALL
18. DAMPER PLUG
19. PUMP INLET NOZZLE
20. CASE PLUG SEAL

