

PRECISION™ INTERNATIONAL

NEW KIT BULLETIN

8L45

APPLICATION

CHEVROLET- CAMARO 20-16-18, COLORADO 2017-18
COLORADO 2017-18
CADILLAC- ATS 2016-2018, CTS 2016-2018, CT6 2016-2018

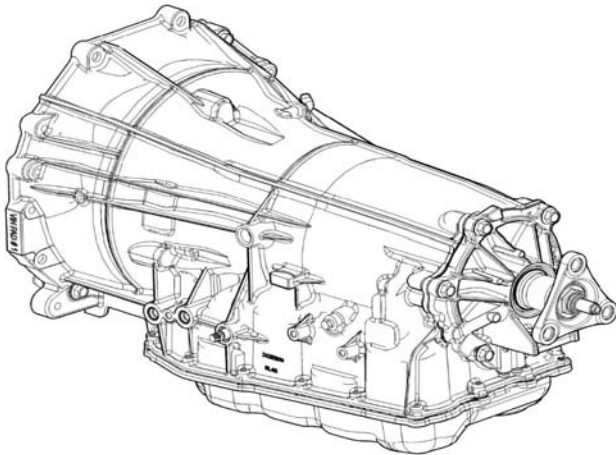
GMC- CANYON 2017-18

REBUILDING KITS

OVERHAUL: KP33900DX+
 KP33900D*
BANNER: KP3300DXW/O+
 KP3300DW/O*
MASTER: KP3300DX+
 KP3300D*
PISTON KIT: K33900D-99
RING KIT: K33901D
FRICTION MODULE: K3300D-1F
STEEL MODULE: K3300D-1S
 * - W/ PISTON KIT
 + - W/O PISTON KIT

DISTINGUISHING CHARACTERISTICS

THERE MAY BE SLIGHT VARIATIONS FROM MODEL TO MODEL, BUT OVERALL CASE CONFIGURATION IS THE SAME



AVAILABLE COMPONENTS

FILTER
33575SA

METAL CLAD SEALS

FRONT COVER - 33667
EXTENSION HSG - 33786
MANUAL SHAFT - 38511G

PAN GASKETS

33705XA

BUSHINGS

N/A

BANDS

N/A

BENEFITS

- 1 CONTAINS THRUST WASHERS AND SNAP RINGS
- 2 CONTAINS ALL V/B CHECKBALLS AND V/B RETAINERS
- 3 SUB PACKAGED FOR EASE OF LOCATION.
- 4 OEM COMPARABLE MATERIAL.
- 5 PRECISION MOLDED PISTONS ARE VITON
- 6 COMES WITH OR WITH OUT MOLDED PISTONS.
- 7 CONTAINS REPLACEMENT V/B GASKET.
- 8 CONTAINS BINARY PUMP BOLTS
- 9 CONTAINS V/B ACTR ACCUM FEED PLUGS AND SPRINGS

THE PROBLEM SOLVERS

PRECISION INTERNATIONAL ~ 14 TODD COURT EXT., YAPHANK, NY 11980

800.872.6649 ~ 631.567.2000 ~ sales@transmissionkits.com ~ www.transmissionkits.com

