

NOVEMBER 2001

**\*\*NEW\*\***

### **K48900CL**

---

**BMXA, SLXA  
HONDA CIVIC 2001**

---

1. SPECIAL ARMSTRONG MATERIAL MP-2N FOR CASE AND COVER GASKET
2. OEM COMPARABLE MATERIAL ON RUBBER COMPONENTS
3. CONTAIN LINEAR SOLENOID GASKET
4. SUB PACKAGE EASILY DISTINGUISHING CLUTCH AND ACCUMULATOR O-RINGS ETC.
5. ALL LATE CBG TEFLON RINGS AND SPECIAL PEEK RINGS FOR MAINSHAFT
6. FULL COMPLIMENT OF SEALING WASHERS AND CHECK BALLS
7. CONTAIN CONTROL WIRE GROMMENTS

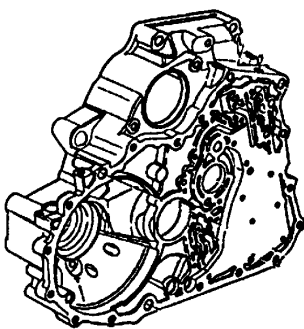
---

### **DISTINGUISHING CHARACTERISTICS**

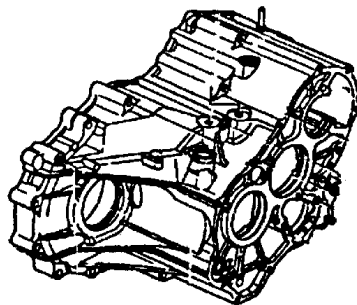
---

Code BMXA, SLXA Stamped on Case or Tag

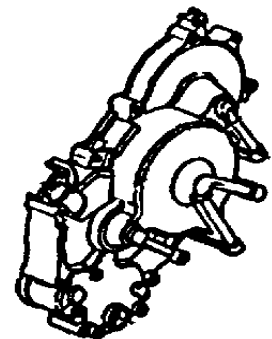
TORQUE CONVERTER HOUSING



TRANSMISSION HOUSING



RIGHT SIDE COVER



PHONE # (631) 567-2000 / FAX # (631) 567-2640  
EMAIL: GENERAL – pi @ transmissionkits.com / SALES – sales @ transmissionkits.com  
ENGINEERING – engineering @ transmissionkits.com /

