

**NEW PRODUCT
ANNOUNCEMENT**

K98900J

Honda Civic Hybrid 2003 - 2004

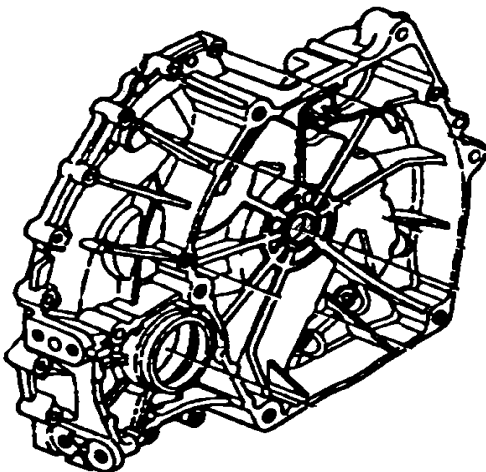
SZCA

*Banners and Masters
also Available*

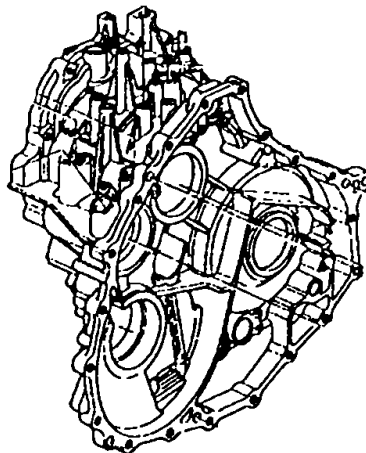
- Contains Starter Clutch Molded Piston and Seals.
- OEM comparable material
- MP-2N Gasket material
- Full compliment of Sealing Washers and V/B Check balls
- Sub - Packaged for ease of location

DISTINGUISHING CHARACTERISTICS:

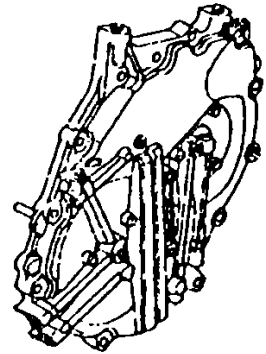
CONVERTER CASE



TRANSMISSION
CASE



LEFT SIDE COVER



PAN

