



Jan 05

**NEW PRODUCT
ANNOUNCEMENT**

K98900H

Honda Insight 2002-2004
MHTA

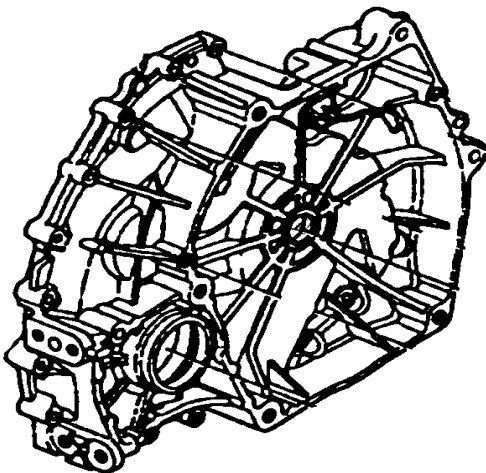
*Banners and Masters
also Available*

- Contains Starter Clutch Molded Piston and Seals.
- OEM comparable material
- MP-2N Gasket material
- Full compliment of Sealing Washers and V/B Check balls
- Sub - Packaged for ease of location

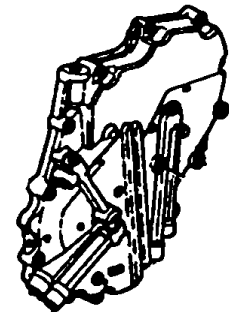
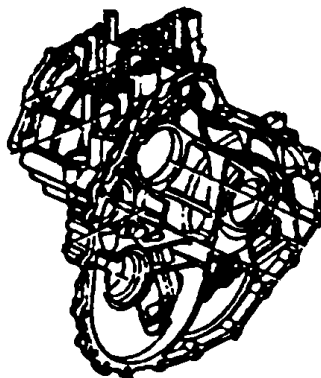
DISTINGUISHING CHARACTERISTICS:

LEFT SIDE COVER

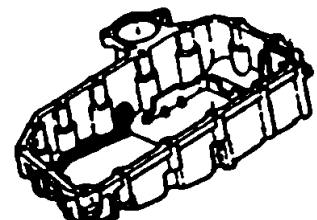
CONVERTER CASE



TRANSMISSION
CASE



PAN



Telephone: 631-567-2000
Website: www.transmissionkits.com

Fax: 631-567-2640
e-mail: sales@transmissionkits.com