

NEW KIT BULLETIN

AA80E

APPLICATION

LEXUS

LS 460/470 2007-11

LS 470L 2007-11

GS 460/470 2008-11

IS-F 2008-11

REBUILDING KITS

OVERHAUL: **K86900F**

BANNER: **K8600FW/O**

MASTER: **K8600F**

RING KIT: **K86300F**

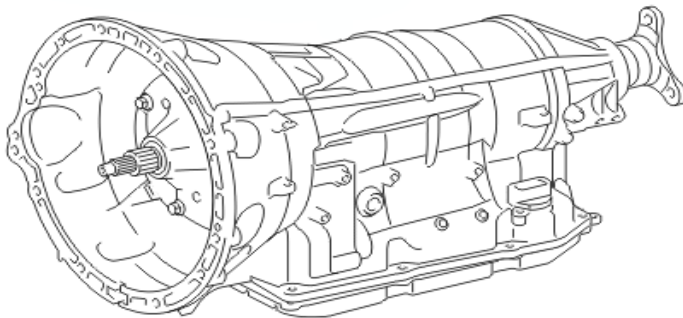
FRICITION MODULE: **K8600F-1F**

STEEL MODULE: **K8600F-1S**

* - W/ PISTON

DISTINGUISHING CHARACTERISTICS

THERE MAY BE SLIGHT VARIATIONS FROM MODEL TO MODEL, BUT OVERALL CASE CONFIGURATION IS THE SAME



AVAILABLE COMPONENTS

FILTER

86575H

METAL CLAD SEALS

86453 - PUMP

86038 - OUTPUT

86030 - YOKE

PAN GASKETS

86702XA

BUSHING

PUMP - 86250

BENEFITS

- 1 INCLUDES REVERSE MOLDED RETAINER
- 2 CONTAINS OEM COMPARABLE MATERIALS
- 3 INCLUDES FULL ASSORTMENT OF CHECKBALLS
- 4 SUB PACKAGED FOR EASE OF INSTALLATION
- 5 INCLUDES PLASTIC THRUST WAHER

THE PROBLEM SOLVERS



PRECISION INTERNATIONAL ~ 14 TODD COURT EXT., YAPHANK, NY 11980

3/16/12

800.872.6649 ~ 631.567.2000 ~ sales@transmissionkits.com ~ www.transmissionkits.com