

A8TR1

APPLICATION

KIA

MOHAVE 8spd RWD (V8 5.0L) 2011-12
BORREGO 8spd RWD (V8 5.0L) 2011-12
OPRIUS 8spd RWD (V8 5.0L) 2011-12
K900 8spd RWD (V8 5.0L) 2015

HYUNDAI

EQUUS 8spd RWD (V8 5.0L) 2012-15
GENESIS 8spd RWD (V8 4.6L) 2012-14
GENESIS 8spd RWD (V8 5.0L) 2012-15

REBUILDING KITS

OVERHAUL: K82900V*
K82900VX+
BANNER: K8200VW/O*
K8200VXW/O+
MASTER: K8200V*
K8200VX+
PISTON KIT: K82900V-99
RING KIT: K82300V
FRICTION MODULE: K8200V-1F
STEEL MODULE: K8200V-1S

* - W/ PISTON

+ - W/O PISTON

DISTINGUISHING CHARACTERISTICS

THERE MAY BE SLIGHT VARIATIONS FROM MODEL TO MODEL, BUT OVERALL CASE CONFIGURATION IS THE SAME.

AVAILABLE COMPONENTS

FILTER

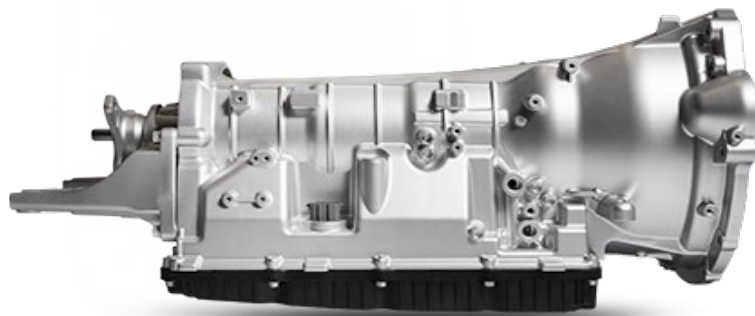
82575V - MAIN FILTER

WASHERS

82530 - PLANET (THRUST WASHER)

METAL CLAD SEALS

77813 - PUMP
82775 - REAR CASE
48204 - MANUAL SHAFT



BENEFITS

- 1 AVAILABLE WITH OR WITHOUT PISTONS.
- 2 PARTS ARE OE COMPRABLE MATERIAL.
- 3 CONTAINS ALL VALVE BODY SCREENS.
- 4 CONTAINS ALL SMALL MISCELLANEOUS SEALS. (VALVE BODY TO CASE)
- 5 CONTAINS PLANET THRUST WASHER.
- 6 PUMP BUSHING AVAILABLE SEPARATELY.
- 7 MOLDED RUBBER PAN GASKET.
- 8 PRESSURE PLUG, DRAIN & LEVEL PLUG ORINGS.
- 9 SOLENOID ORINGS.
- 10 TORLON SHAFT RINGS.

THE PROBLEM SOLVERS

PRECISION INTERNATIONAL ~ 14 TODD COURT EXT., YAPHANK, NY 11980

800.872.6649 ~ 631.567.2000 ~ sales@transmissionkits.com ~ www.transmissionkits.com

