

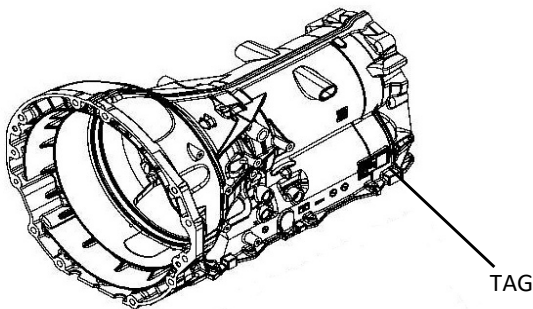
ZF8HP70/X

APPLICATION

ASTON MARTIN DB9 2013-14
BMW 4-SERIES 2013-14, 5-SERIES 2011-13
6-SERIES 2012-14, 7-SERIES 2010-14
JAGUAR F-TYPE 2013-14, XF 2013-14, XK 2013-14
XJ 2013-14
LAND ROVER LR3 2011-14,
RANGE ROVER/SPORT 2012-14
RAM 1500 V8 2014, 2500 2014

DISTINGUISHING CHARACTERISTICS

THERE MAY BE SLIGHT VARIATIONS FROM MODEL TO MODEL, BUT OVERALL CASE CONFIGURATION IS THE SAME
ZF 8HP70X



REBUILDING KITS

OVERHAUL: K82900UT*
K82900UTX+

BANNER: K8200UTW/O*
K8200UTXW/O+

MASTER: K8200UT*
K8200UTX+

PISTON KIT: K82900T-99

RING KIT: K82300R
FRICTION MODULE: K8200T-1F
K8200UT-1F
STEEL MODULE: K8200T-1S
K8200UT-1S
* - W/ PISTON
+ - W/O PISTON

AVAILABLE COMPONENTS

FILTER
82575P

METAL CLAD SEALS

82296 - PUMP

82055-PUMP BODY

37520 EXT 2WD / 37205 EXT 4WD

37250-OUTPUT FLANGE

82651-MANUAL SHAFT

82355-T/C INPUT

T/C OUTPUT 82764-FRONT/ 82961-REAR

PAN GASKETS

82712X

BENEFITS

- 1 OEM COMPARABLE MATERIAL ON ALL COMPONENTS
- 2 CONVENIENTLY SUB-PACKAGED FOR EASE OF LOCATION AND INSTALLATION
- 3 FULL COMPLEMENT OF VALVE BODY TORLON CHECKBALLS, SCREENS AND OTHER COMPONENTS
- 4 INCLUDES VITON® SOLENOID ORINGS
- 5 INCLUDES BONDED VALVE BODY PLATE
- 6 INCLUDES P1 & P2 PLANETARY THRUST WASHERS
- 7 INCLUDES REPLACEMENT PUMP BOLTS AND WASHERS
- 8 INCLUDES EXTENSION HOUSING RING LAND SUPPORT
- 9 AVAILABLE WITH OR WITHOUT TRANSFER CASE PARTS

THE PROBLEM SOLVERS

PRECISION INTERNATIONAL ~ 14 TODD COURT EXT., YAPHANK, NY 11980

800.872.6649 ~ 631.567.2000 ~ sales@transmissionkits.com ~ www.transmissionkits.com

