

ZF6HP32

APPLICATION

2008-12 AUDI Q7 (V12 6.0L)
2001-08 BMW 7 SERIES (V8 3.9L & 4.4L)
2007-09 BENTLEY ARNAGE (V8 6.8L)
2006-09 BENTLEY AZURE (V8 6.8L)
2008-09 BENTLEY BROOKLANDS (V8 6.8L)

REBUILDING KITS

OVERHAUL: K82900Q

BANNER: K8200QW/O

MASTER: K8200Q

PISTON KIT: N/A

RING KIT: K82300Q-SP

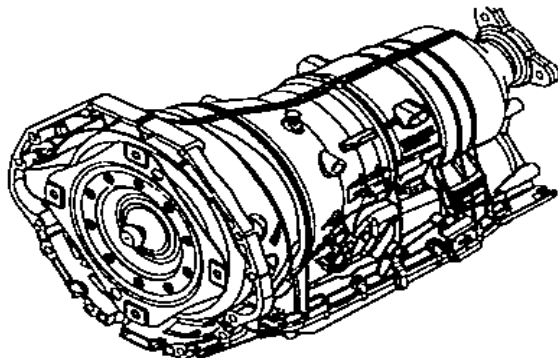
FRICITION MODULE: K8200Q-1F

STEEL MODULE: K8200Q-1S

NO PISTONS REQUIRED FOR THIS UNIT.

DISTINGUISHING CHARACTERISTICS

THERE MAY BE SLIGHT VARIATIONS FROM MODEL TO MODEL, BUT OVERALL CASE CONFIGURATION IS THE SAME



AVAILABLE COMPONENTS

FILTER

82575C-FILTER/OIL PAN ASSY

37575L-MAIN

METAL CLAD SEALS

37842- PUMP

37250- EXTENSION HSG

37520- OUTPUT FLANGE

82651- SELECTOR SHAFT

PAN GASKETS

82703X-FOR STEEL OIL PAN

82704X- FOR PLASTIC OIL PAN

BENEFITS

- 1 OEM COMPARABLE MATERIAL ON ALL COMPONENTS
- 2 CONVENIENTLY SUB-PACKAGED FOR EASE OF LOCATION AND INSTALLATION
- 3 FULL COMPLEMENT OF VALVE BODY TORLON CHECKBALLS, SCREENS AND OTHER COMPONENTS
- 4 CONTAINS PAN GASKETS TO COVER EITHER STEEL OR PLASTIC OIL PAN APPLICATIONS
- 5 SPX (SEALED POWER) METAL SEALING RINGS FOR PUMP STATOR
- 6 VITON® SOLENOID ORINGS
- 7 CONTAINS PLANETARY THRUST WASHERS

THE PROBLEM SOLVERS

PRECISION INTERNATIONAL ~ 14 TODD COURT EXT., YAPHANK, NY 11980

800.872.6649 ~ 631.567.2000 ~ sales@transmissionkits.com ~ www.transmissionkits.com

